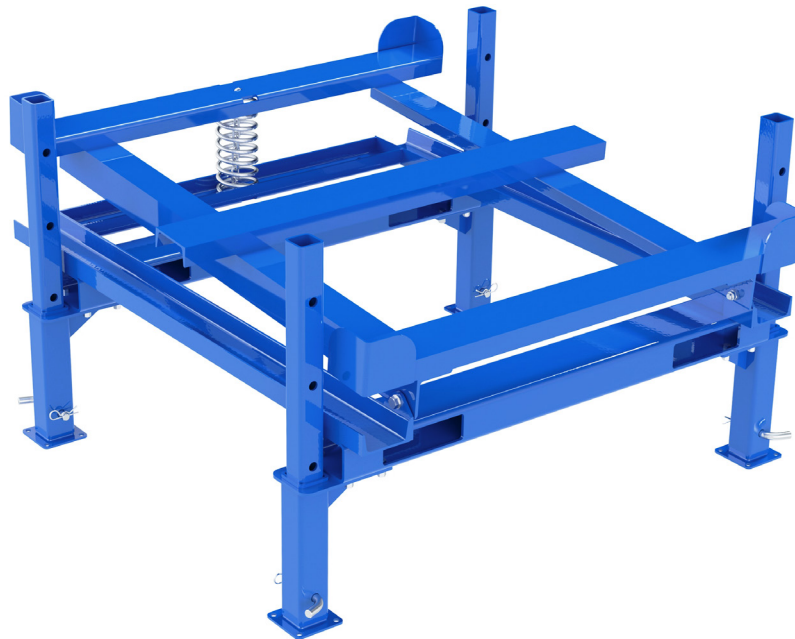




Vestil Manufacturing Corp.
 2999 North Wayne Street, P.O. Box 507, Angola, IN 46703
 Telephone: (260) 665-7586 -or- Toll Free (800) 348-0868
 Fax: (260) 665-1339
 Web: www.vestilmfg.com e-mail: info@vestil.com

IBC-TLT-FPL



Receiving Instructions

After delivery, remove the packaging from the product. Inspect the product closely to determine whether it sustained damage during transport. If damage is discovered, record a complete description of it on the bill of lading. If the product is undamaged, discard the packaging.

NOTE: The end-user is solely responsible for confirming that product design, use, and maintenance comply with laws, regulations, codes, and mandatory standards applied where the product is used.

Technical Service & Replacement Parts

For answers to questions not addressed in these instructions and to order replacement parts, labels, and accessories, call our Technical Service and Parts Department at (260) 665-7586. The Department can also be contacted online at <https://www.vestil.com/page-parts-request.php>.

Electronic Copies of Instruction Manuals

Additional copies of this instruction manual may be downloaded from <https://www.vestil.com/page-manuals.php>.

Table of Contents

	Page
Signal Words.....	2
Safety Instructions.....	2
Using the Container Stand.....	2
Exploded View and Bill of Materials.....	3
Record of Satisfactory Condition.....	4
Inspections & Maintenance.....	4
Labeling Diagram.....	4
Limited Warranty.....	5

SIGNAL WORDS

This manual uses SIGNAL WORDS to direct the reader's attention to important safety-related messages. These messages describe uses of the product that could result in personal injury or property damage. Each signal word corresponds to a specific hazard level. The following are definitions of signal words that might appear in this manual.



Identifies a hazardous situation which, if not avoided, WILL result in DEATH or SERIOUS INJURY. Use of this signal word is limited to the most extreme situations.



Identifies a hazardous situation which, if not avoided, COULD result in DEATH or SERIOUS INJURY.



Indicates a hazardous situation which, if not avoided, COULD result in MINOR or MODERATE injury.



Identifies practices likely to result in product/property damage, such as operation that might damage the product.

SAFETY INSTRUCTIONS

Vestil strives to identify all foreseeable hazards associated with the use of its products. However, material handling is dangerous and no manual can address every conceivable risk. Ultimately, the most effective way to prevent injury is to apply sound judgment whenever using this device.



Improper or careless use of this product could result in death or serious personal injuries.

- *Read and understand the entire manual before assembling, installing, using or servicing the product.* Read the manual to refresh your understanding of proper use and maintenance procedures.
- **DO NOT** attempt to resolve any problem(s) with the product unless you are both authorized to do so and certain that it will be safe to use afterwards.
- **DO NOT** modify the product in any way **UNLESS** you first obtain written approval from Vestil. Unapproved modifications automatically void the **LIMITED WARRANTY** and might make the product unsafe to use.
- **DO NOT** exceed the capacity: 4,400 pounds (2000kg). Capacity information is provided in on-product labeling. See Label 287 in the **LABELING DIAGRAM** on p. 4.
- Inspect the product according to the instructions in **INSPECTIONS & MAINTENANCE**. **DO NOT** use the product unless it is in *satisfactory condition*.
- **DO NOT** move the stand (via lift truck) until the IBC has been removed from the stand.
- **DO NOT** use the stand **UNLESS** all labels are readable & undamaged. See **LABELING DIAGRAM**.

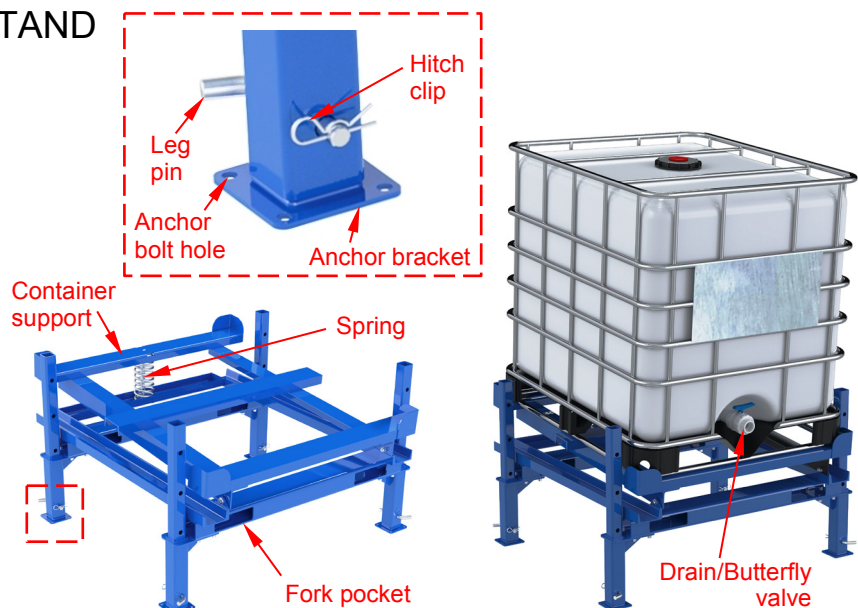
USING THE CONTAINER STAND

The stand is designed to support 275gal and 300 gal. intermediate bulk containers (ICB). Anchor all 4 legs to the ground with 3/8" x 4"(L) anchor bolts.

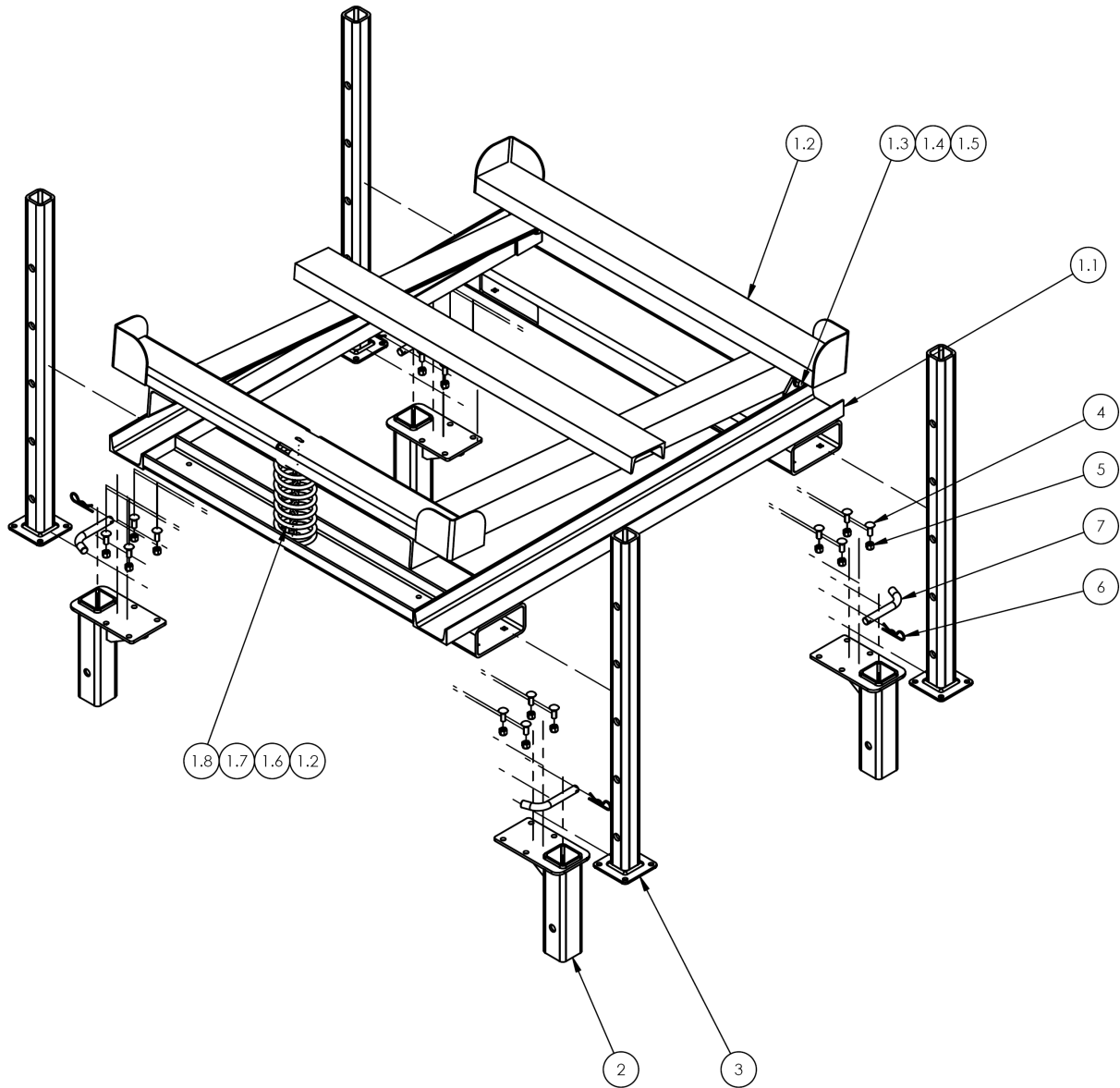
Legs are adjustable in 6" increments (15.2cm). Remove hitch clips and leg pins, raise the stand to the desired height, and reinstall the pins and clips.

Place an ICB on the stand with the drain (butterfly valve) opposite the spring. The spring elevates the back side of the container support as the weight of the container decreases. Elevating the back side of the ICB causes its contents to flow towards the drain.

The stand can be transported via forklift. Do not transport the stand while it is loaded. Remove the IBC from the stand. Remove all anchor bolts. Insert the forks into the (2) for pockets in the frame. Tilt the forklift mast toward the cab and slowly and carefully drive the stand to the offloading location.



EXPLODED VIEW AND BILL OF MATERIALS



ITEM NO	PART NO	DESCRIPTION	QTY.
1	16-001-503	TILT STAND WITH FORK POCKETS	1
1.1	16-514-344	FRAME, SUB-ASSEMBLY WELDMENT ("FRAME")	1
1.2	16-514-277	UPPER FRAME WELDMENT ("CONTAINER SUPPORT")	1
1.3	11209	½ -13 X 1 ½" LG HHCS - ASTM A307 GRADE A, ZINC PLATED	2
1.4	33011	½" FLAT WASHER, USS, PLAIN FINISH	2
1.5	37030	½"-13 NYLON INSERT LOCK NUT	2
1.6	11053	5/16 - 18 X ¾ LG, HHCS #2 Z PLATED	1
1.7	37021	5/16"-18 NYLON INSERT LOCK NUT, GRADE 2, ZINC FINISH	1
1.8	16-146-005	TILTING SPRING	1
2	16-514-345	SUB-ASSEMBLY WELDMENT ("LEG RECEIVER")	4
3	16-514-346	FRAME WELDMENT ("FIXED LEG")	4
4	21355	3/8" - 16 X 1" ROUND HEAD CARRIAGE BOLT, ZINC FINISH, GRADE A	16
5	37024	3/8"-16 NYLON INSERT LOCK NUT, GRADE 2, ZINC FINISH	16
6	45286	#11 HITCH PIN CLIP, 1/8" X 2 5/8 LG	4
7	99-112-030	TRAILER HITCH PIN	4

RECORD OF SATISFACTORY CONDITION (THE “RECORD”)

After the unit is installed, make a detailed record of its condition. Include observations about all features: pivot points, welds, the container support subassembly, legs, leg receivers, pins and anchor bolts. Thoroughly photograph the unit from multiple angles so that all features are clearly imaged. Photograph all labels applied to the stand. Describe where each label is located. Collate all photographs and writings into a single file. This file is a record of the stand in satisfactory condition. Compare the results of each inspection to this *RECORD* to determine if the unit is in satisfactory condition. Do not use the stand unless it is in satisfactory condition

INSPECTIONS AND MAINTENANCE

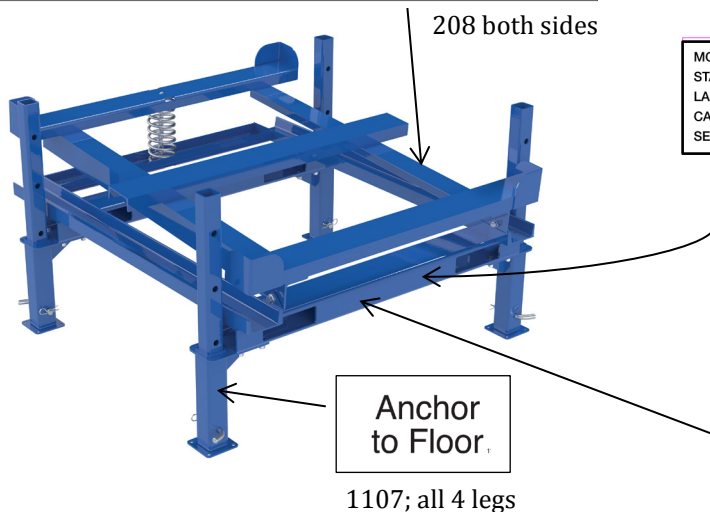
Compare inspection results to the *RECORD*. Do not continue to use the product unless every component is in *SATISFACTORY CONDITION*. Cosmetic changes, like damaged paint/powder coat do not constitute changes from satisfactory condition. However, touchup paint should be applied to all affected areas as soon as damage occurs. Contact *TECHNICAL SERVICE* to order replacement parts. Contact information is provided on the cover page of this manual.

Inspect the following at least once per month:

1. Surfaces – Check all surfaces of the product for dirt or other matter, especially fluids. Clean the surfaces of the stand.
2. Hardware, fasteners – Examine hardware & fasteners (anchor bolts and sleeves, bolts, nuts, pins, & clips). Replace damaged/worn hardware.
3. Examine the frame for wear, breaks, corrosion/rust, metal fatigue, and other forms of damage (e.g. impact damage).
4. Spring – Check the spring for cracks and other damage. Make sure that there is no debris caught in the spring.
5. Labels– Replace labels that are damaged or not easily readable from a reasonable distance.
6. Overall structure – Examine the whole structure for rusting or metal erosion, rot, thinned regions. In particular, examine pivot points, legs and anchor brackets. If rusting is purely superficial, remove the rust/corrosion. Clean the affected area and apply touchup paint. If rusting, rot, or thinning has weakened the material, contact *TECHNICAL SERVICE* for advice.

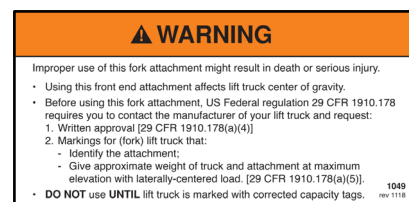
LABELING DIAGRAM

Label content and locations are subject to change so your product might not be labeled exactly as shown. Replace all labels that are damaged, missing, or not easily readable (e.g. faded). To order replacement labels, contact the technical service and parts department online at http://www.vestilmfg.com/parts_info.htm. Alternatively, you may request replacement parts and/or service by calling (260) 665-7586 and asking the operator to connect you to the Parts Department.



MODEL/MODÉLO/MODÈLE	
STATIC CAPACITY (evenly distributed)	_____ lbs.
LA CAPACIDAD CONSTANTE (distribuida uniformemente)	_____ kgs.
CAPACITÉ STATIQUE (distribuée régulièrement)	_____ kgs.
SERIAL/SERIE/SÉRIE	_____

287



1049



LIMITED WARRANTY

Vestil Manufacturing Corporation (“Vestil”) warrants this product to be free of defects in material and workmanship during the warranty period. Our warranty obligation is to provide a replacement for a defective, original part covered by the warranty after we receive a proper request from the Warrantee (you) for warranty service.

Who may request service?

Only a warrantee may request service. You are a warrantee if you purchased the product from Vestil or from an authorized distributor AND Vestil has been fully paid.

Definition of “original part”?

An original part is a part used to make the product as shipped to the Warrantee.

What is a “proper request”?

A request for warranty service is proper if Vestil receives: 1) a photocopy of the Customer Invoice that displays the shipping date; AND 2) a written request for warranty service including your name and phone number. Send requests by one of the following methods:

<u>US Mail</u>	<u>Fax</u>	<u>Email</u>
Vestil Manufacturing Corporation	(260) 665-1339	info@vestil.com
2999 North Wayne Street, PO Box 507	<u>Phone</u>	Enter “Warranty service request”
Angola, IN 46703	(260) 665-7586	in subject field.

In the written request, list the parts believed to be defective and include the address where replacements should be delivered. After Vestil receives your request for warranty service, an authorized representative will contact you to determine whether your claim is covered by the warranty. Before providing warranty service, Vestil will require you to send the entire product, or just the defective part (or parts), to its facility in Angola, IN.

What is covered under the warranty?

The warranty covers defects in the following original, dynamic parts: motors, hydraulic pumps, motor controllers, and cylinders. It also covers defects in original parts that wear under normal usage conditions (“wearing parts”), such as bearings, hoses, wheels, seals, brushes, and batteries.

How long is the warranty period?

The warranty period for original dynamic components is 90 days. For wearing parts, the warranty period is 90 days. Both warranty periods begin on the date Vestil ships the product to the Warrantee. If the product was purchased from an authorized distributor, the periods begin when the distributor ships the product. Vestil may, at its sole discretion, extend a warranty period for products shipped from authorized distributors by up to 30 days to account for shipping time.

If a defective part is covered by the warranty, what will Vestil do to correct the problem?

Vestil will provide an appropriate replacement for any *covered* part. An authorized representative of Vestil will contact you to discuss your claim.

What is not covered by the warranty?

The Warrantee (you) are responsible for paying labor costs and freight costs to return the product to Vestil for warranty service.

Events that automatically void this Limited Warranty.

- Misuse;
- Negligent assembly, installation, operation or repair;
- Installation/use in corrosive environments;
- Inadequate or improper maintenance;
- Damage sustained during shipping;
- Collisions or other accidents that damage the product;
- Unauthorized modifications: Do not modify the product IN ANY WAY without first receiving written authorization from Vestil.

Do any other warranties apply to the product?

Vestil Manufacturing Corp. makes no other express warranties. All implied warranties are disclaimed to the extent allowed by law. Any implied warranty not disclaimed is limited in scope to the terms of this Limited Warranty. Vestil makes no warranty or representation that this product complies with any state or local design, performance, or safety code or standard. Noncompliance with any such code or standard is not a defect in material or workmanship.